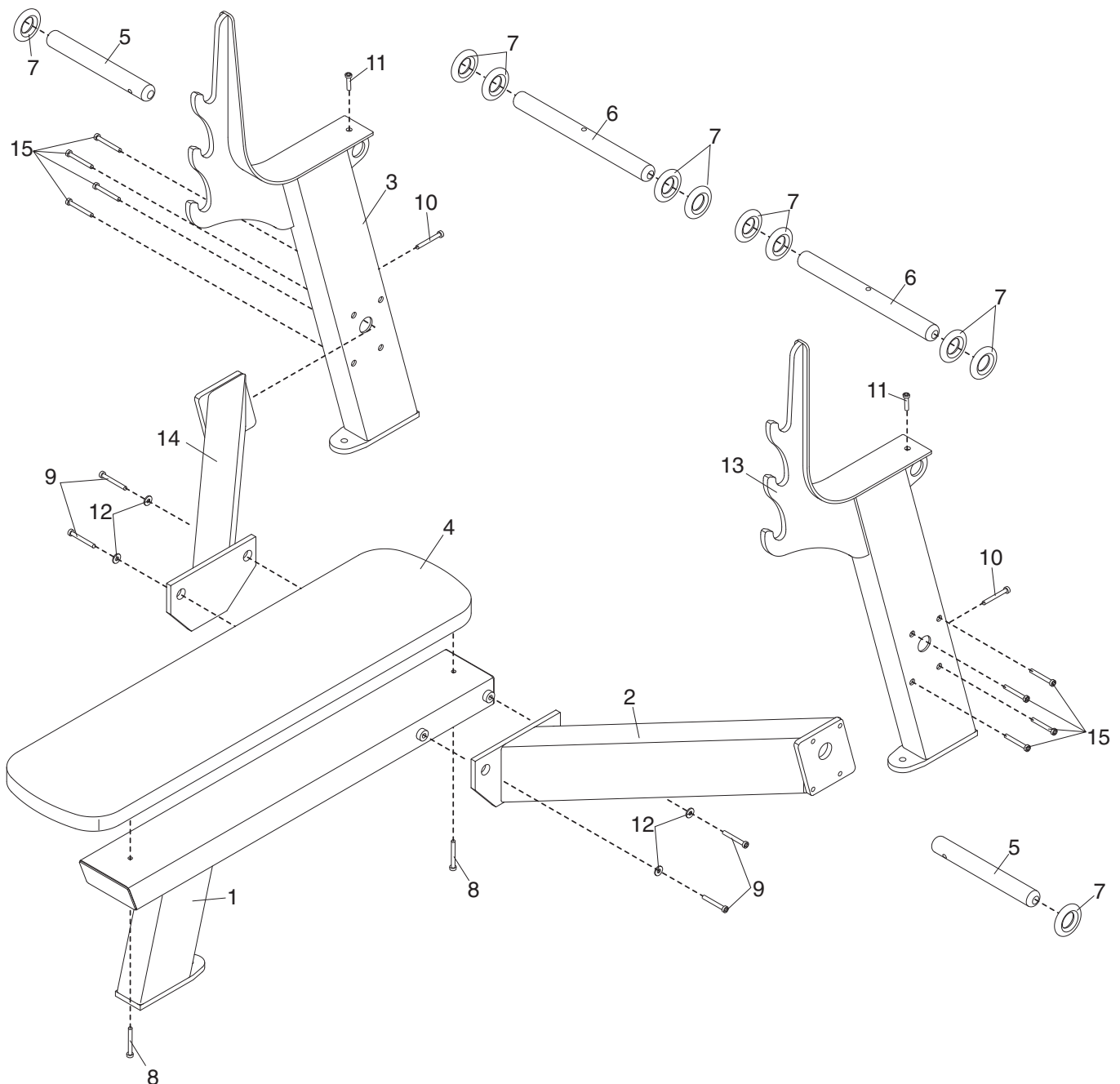


PART LIST/EXPLODED DRAWING—Model No. GZFW20211

R0204A

Key No.	Qty.	Description	Key No.	Qty.	Description
1	1	Base	9	4	1/2" x 1" Bolt
2	1	Left Arm	10	2	1/2" x 3" Bolt
3	1	Right Upright	11	2	1/2" x 1 1/4" Button Head Bolt
4	1	Seat	12	4	1/2" Washer
5	2	Short Weight Bar	13	1	Left Upright
6	2	Long Weight Bar	14	1	Right Arm
7	10	Bumper Ring	15	8	1/2" x 3 1/2" Button Head Bolt
8	2	3/8" x 4" Bolt	#	1	Owner's Manual

Note: “#” indicates a non-illustrated part. Specifications are subject to change without notice. See the back cover of the owner’s manual for information about ordering replacement parts.



Bubble #	OEM Number	Description
2	GZ4197	LEFT ARM
7	GZ1191	BUMPER RING
8	GZ1014-03	3/8" X 4" BOLT
9	GZ1149	1/2" X 1" BOLT
10	GZ1009-02	1/2" X 3" BOLT
14	GZ4198	RIGHT ARM
15	GZ1012-03	1/2" X 3.5" BOLT
#	GZ7252	USER'S MANUAL
#	GZ7273	WEIGHT BAR CAUTION DECAL